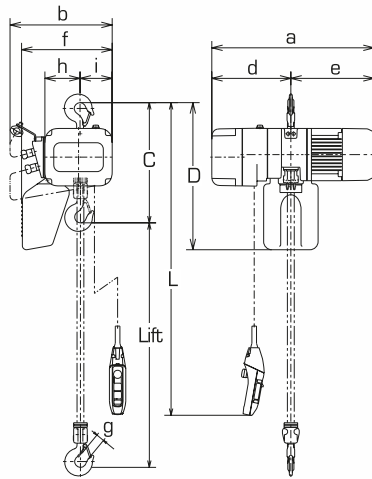


KITO® ELECTRIC CHAIN HOISTS

ER2 - SINGLE SPEED (WITH HOOK SUSPENSION)



- Standard length of power supply cable is five meters.
- Optional length of lift, push button cord and power supply cable besides standard is available on your request.
- Extending the load chain is prohibited with additional links.
- Steel chain containers are available as an option if your lift is more than capacity of the standard container volume.

SPECIFICATIONS

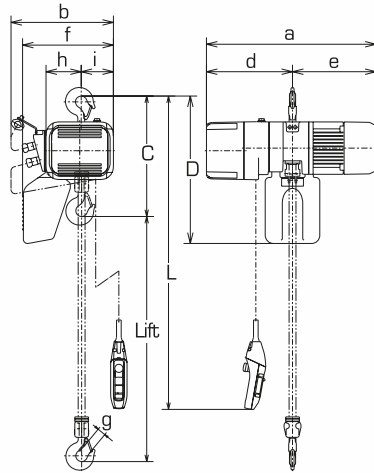
CAPACITY (t)	PRODUCT CODE	HOIST BODY	STANDARD LIFT (m)	PUSH BUTTON CORD L (m)	LIFTING MOTOR		LIFTING SPEED (m/min)		LOAD CHAIN		CLASSIFICATION ISO/FEM/ASME	TEST LOAD (t)	NET WEIGHT (kg)	ADDITIONAL WEIGHT PER 1M LIFT (kg)				
					OUTPUT (kW)	RATING (%ED)	50HZ	60HZ	DIAMETER (mm)	X CHAIN FALLS								
125kg	ER2-001H	B	3	2.5	60	0.56	14.1	16.9	4.3	x	1	156 kg	27	0.42				
250kg	ER2-003S						9.1	10.9				313 kg	37					
	ER2-003H	13.4					16.1	6	x	1	625 kg	33	0.81					
500kg	ER2-005L	0.56					3.8				4.6	7.3		8.8	625 kg	37		
1	ER2-010L	D					3	2.5	60	0.9	3.5	4.2	7.7	x	1	1.25	47	1.33
	ER2-010S										7.1	8.5				54		
1.5	ER2-015S	E	3	2.5	60	1.8	4.5	5.4	10.2	x	1	1.88	72	2.3				
2	ER2-020L						3.7	4.4				2.5	73					
	ER2-020S	7.0					8.4	91										
2.5	ER2-025S	F					3	2.8	60	3.5	5.7	6.8	11.2	x	1	3.13	104	2.8
3	ER2-030S	E									4.4	5.3				10.2	x	
	5	ER2-050S									F	2.9	3.5	11.2	x	2	6.25	132

DIMENSIONS (mm)

CAPACITY (t)	PRODUCT CODE	HEADROOM c	D	a (MFC)	b (MFC)	d (MFC)	e (MFC)	f (MFC)	g	h	i (MFC)
125kg	ER2-001H	350	430	478(564)	321(345)	219(305)	259	260(284)	27	99	93(117)
250kg	ER2-003S			510(593)							
	ER2-003H	370	490	513(599)	348	242(325)	271(273)	283	27	113	106
500kg	ER2-005L			510(593)			268				
ER2-005S	430	550	550	589(632)	376	291(332)	298(300)	335	31	129	118
1				ER2-010L			598(639)				
ER2-010S	510	630	630	646(738)	427	308(397)	338(341)	384.5	34	160.5	137.5
1.5				ER2-015S			703(782)				
ER2-020L	575	630	630	703(782)	427	347(426)	356	397	44	216	82
2											
ER2-025S	625	840	840	703(782)	427	347(426)	356	397	44	216	82
2.5											
ER2-030S	785	920	920	736(826)	445	337(427)	399	439	47	231.5	84.5
3											
ER2-050S	850	920	920	736(826)	445	337(427)	399	439	47	231.5	84.5

KITO® ELECTRIC CHAIN HOISTS

ER2 - DUAL SPEED - INVERTER (WITH HOOK SUSPENSION)



- Standard length of power supply cable is five meter
- Optional length of lift, push button cord and power supply cable besides standard is available on your request
- Extending the load chain is prohibited with additional links
- Steel chain containers are available as an option if your lift is more than capacity of the standard container volume

SPECIFICATIONS

CAPACITY (t)	PRODUCT CODE	HOIST BODY	STANDARD LIFT (m)	PUSH BUTTON CORD L (m)	LIFTING OUTPUT (kW)	MOTOR RATING (%ED)	LIFTING SPEED (m/min)*			LOAD CHAIN			CLASSIFICATION ISO / FEM / ASME	TEST LOAD (t)	NET WEIGHT (kg)	ADDITIONAL WEIGHT PER 1M LIFT (kg)
							50/60Hz		DIAMETER (mm)	X	CHAIN FALLS					
							HIGH	LOW								
125kg	ER2-0011H	B	3	2.5	0.56	40/20	Preset	16.6	2.8	4.3	x	1	M6/3m/H4 (M5/2m/H4)	156 kg	27	0.42
250kg	ER2-0031S						Adjustable	14	1.8							
	ER2-0031H	C	3	2.5	0.9	40/20	Preset	10.8	0.9	6	x	1	M6/3m/H4 (M5/2m/H4)	313 kg	36	0.81
500kg	ER2-0051L						Adjustable	2.6	1.3							
	ER2-0051S	D	3	2.5	0.56	40/20	Preset	4.5	0.8	7.7	x	1	M5/2m/H4	625 kg	32	0.81
1	ER2-0101L						Adjustable	0.4	0.4							
	ER2-0101S	E	3	2.5	1.8	40/20	Preset	8.5	1.4	10.2	x	1	M4/1Am/H4	2.5	73	2.3
1.5	ER2-0151S						Adjustable	0.7	0.7							
	2	ER2-0201L	F	3	2.8	3.5	40/20	Preset	4.2	0.9	11.2	x	1	M4/1Am/H4	3.13	100
ER2-0201S		Adjustable						0.7	0.7							
2.5	ER2-0251S	E	3	2.8	3.5	40/20	Preset	8.2	1.4	10.2	x	2	M4/1Am/H4	3.75	105	4.7
							Adjustable	0.7	0.7							
3	ER2-0301S	F	3	2.8	3.5	40/20	Preset	5.3	0.9	11.2	x	2	M4/1Am/H4	6.25	128	5.6
							Adjustable	0.4	0.4							
5	ER2-0501S	F	3	2.8	3.5	40/20	Preset	4.3	0.7	11.2	x	2	M4/1Am/H4	6.25	128	5.6
							Adjustable	0.4	0.4							
5	ER2-0501S	F	3	2.8	3.5	40/20	Preset	8.2	1.4	11.2	x	2	M4/1Am/H4	6.25	128	5.6
							Adjustable	0.7	0.7							

Note: The high speed is preset to the maximum speed in KITO factory. The speeds are adjustable between high and low. Figures in () are data for mechanical brake with friction clutch.

DIMENSIONS (mm)

CAPACITY (t)	PRODUCT CODE	HEADROOM C	D	a (MFC)	b	d (MFC)	e (MFC)	f	g	h	i
125kg	ER2-0011H	350	430	535 (564)	345	276 (305)	259	284	27	99	117
250kg	ER2-0031S			568 (593)							
	ER2-0031H	370	490	571 (598)	348	300 (325)	271 (273)	283	27	113	106
500kg	ER2-0051L			568 (593)			268				
	ER2-0051S	430	550	614 (632)	376	316 (332)	298 (300)	335	31	129	118
1	ER2-0101L			623 (639)			307				
	ER2-0101S	510	630	710 (737)	427	372 (397)	338 (340)	384.5	34	160.5	137.5
1.5	ER2-0151S			767 (782)			356				
	2	ER2-0201L	590	840	800 (826)	445	401 (427)	399	437.5	39	173.5
2.5		ER2-0251S			767 (782)			356			
	3	ER2-0301S	785	920	800 (826)	445	401 (427)	399	439	44	216
5					ER2-0501S			800 (826)			

Note: Figures in () are data for mechanical brake with friction clutch.