

GRIPPLE PLUS RANGE

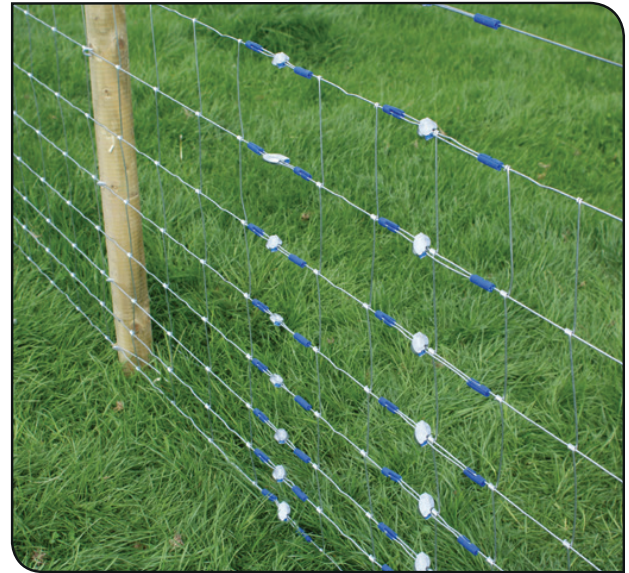
THE GRIPPLE PLUS RANGE OF WIRE JOINERS AND TENSIONERS IS SUITABLE FOR ALL FENCING APPLICATIONS

FEATURES/BENEFITS:

- Join and tension in one
- Eliminates tying and knotting wires, reducing installation time
- Ideal for use on high tensile and mild steel wire
- Designed for high load holding and corrosion resistance
- Easily re-tensioned year-after-year

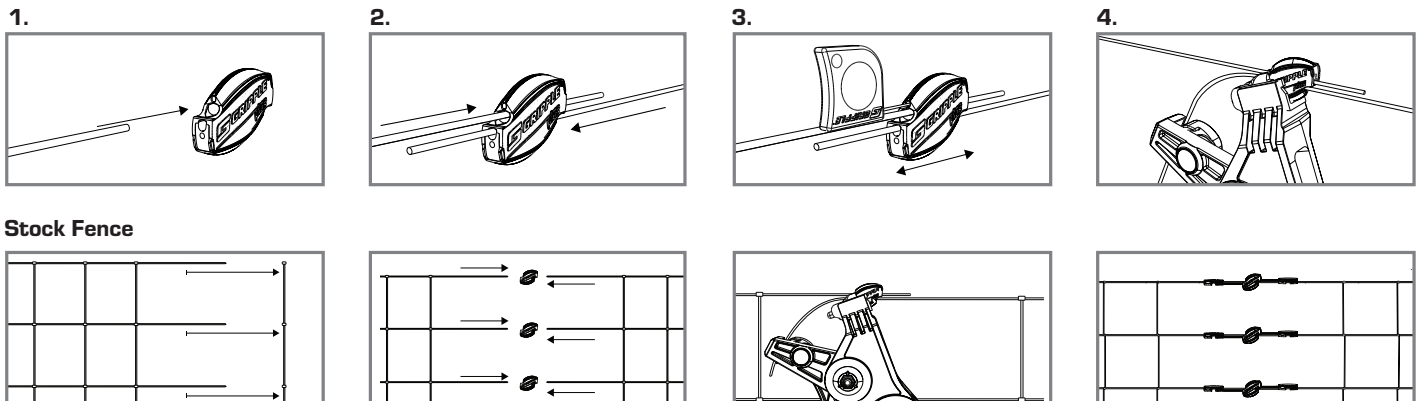
TIPS:

- Reposition before applying tension using a Setting Key
- Remove sufficient verticals prior to installation
- Apply and re-apply tension with a tensioning tool
- Trim excess wire with Wire Cutters, leave at least 75mm tail wire to enable re-tensioning



GRIPPLE PLUS MEDIUM - STOCK FENCE REPAIR

INSTALLATION



SPECIFICATION

PRODUCT	WIRE TYPE	WIRE RANGE	STANDARD WIRE GAUGE	MAXIMUM WORKING LOAD
Gripple Plus Small	Plain, Field, Electric	1.40 mm - 2.20 mm	17 SWG - 14 SWG	300 kg
Gripple Plus Medium	Plain, Field, Electric	2.00 mm - 3.25 mm	14 SWG - 10 SWG	400 kg
Gripple Plus Large	Plain, Field, Electric	3.25 mm - 4.20 mm	10 SWG - 7½ SWG	600 kg