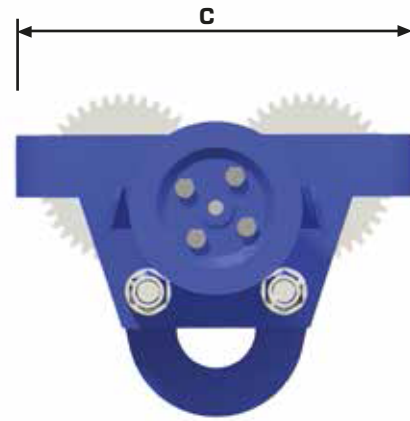
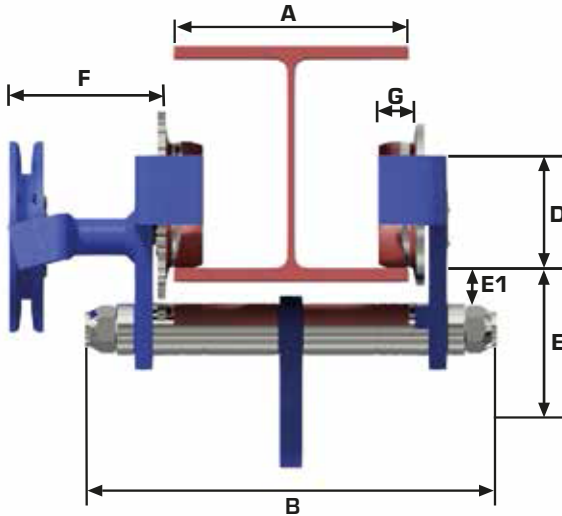
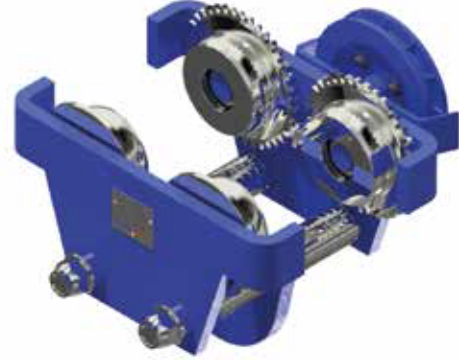


## SALVA-VIDA ADJUSTABLE BEAM CRAWLS GEARED TYPE



**CUSTOMER TO SPECIFY THE REQUIRED LENGTH OF HAND CHAIN WHEN ORDERING GEARED CRAWLS**

		DIMENSIONS (mm)							
W.L.L CAPACITY MODEL		250KG	500KG	1T	2T	3T	5T	10T	15/20T
"A" BEAM WIDTH RANGE	R1	50 - 75	50 - 75	76 - 140	90 - 153	100 - 166	126 - 166	154 - 192	154 - 192
	R2	76 - 143	76 - 143	141 - 210	154 - 216	167 - 210	167 - 210	193 - 229	193 - 229
	R3	-	-	211 - 305	217 - 305	211 - 305	211 - 305	230 - 305	230 - 305
"B" OVERALL CROSSHEAD WIDTH	R1	150	150	250	271	295	305	380	380
	R2	240	240	305	334	340	353	420	420
	R3	-	-	402	424	435	448	495	495
"C" OVERALL LENGTH GEARED TROLLEY		162	200	255	328	330	382	520	-
"D" RUNNER TREAD DIAMETER		45	55	65	90	90	110	145	145
"E" HEADROOM-RUNNER TREAD TO SUSPENSION PLATE SEAT		105	108	74	68	85	82	178	178
"E1" HEADROOM-RUNNER TREAD TO SPACER		12	15	29	27	31	30	73	68
"F" EDGE OF -RUNNER-FLANGE TO OUT SIDE OF CHAIN WHEEL		-	-	135	136	137	136	289	289
"G" TREAD WIDTH		18	18	20	26	26	30	48	48
MINIMUM RADIUS OF TRACK CURVE (METER)		0.75	0.75	1.5	1.5	1.5	1.8	3.0	ON REQUEST ONLY

All units are Proof Load Tested to 1.5 times the Working Load Limit (W.L.L)